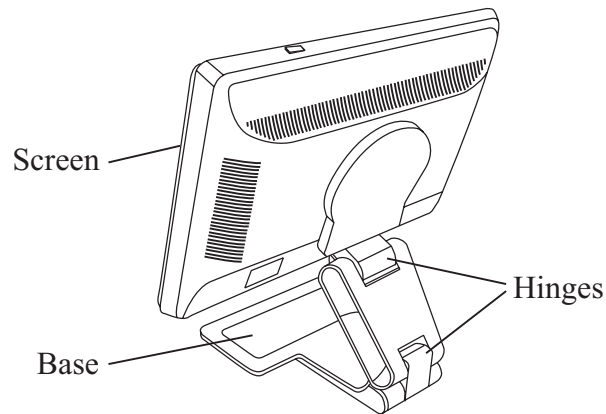


4 The diagram shows a back view of a computer monitor.



4 (a) In normal use, the monitor is *stable*.

4 (a) (i) Explain the meaning, in the above sentence, of the word *stable*.

.....

.....

.....

.....

(2 marks)

4 (a) (ii) State the relationship between the total clockwise moment and the total anticlockwise moment about any axis of the monitor when it is stable.

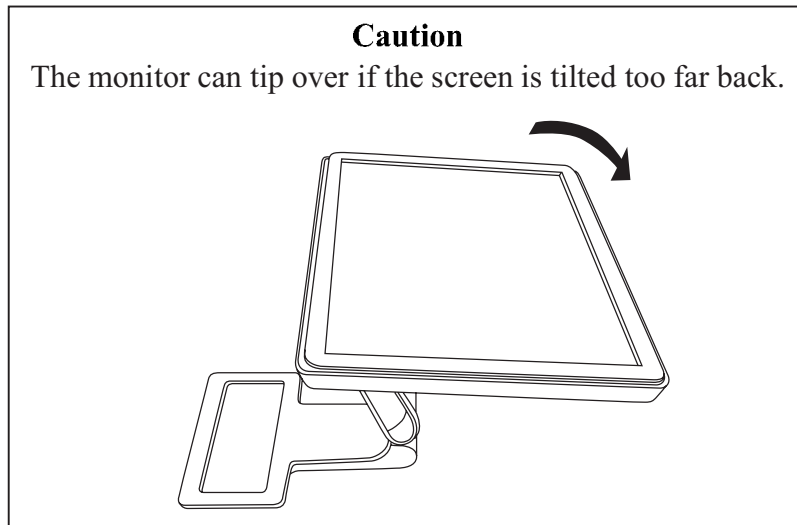
.....

.....

(1 mark)



- 4 (b) The instruction booklet explains that the screen can be tilted. It also includes a warning.



Explain why the monitor will tip over if the screen is tilted too far back.

Include the words *centre of mass*, *weight* and *moment* in your explanation.

.....

.....

.....

.....

.....

.....

(3 marks)

6

Turn over for the next question

Turn over ►

